



ASSEMBLY INSTRUCTIONS

Model: 166



WARNING! ENTRAPMENT OR CRUSHING RISK

Ensure there is no person, animal or item obstructing the area under the footrest before operating this product.



SAFETY INSTRUCTIONS

Please read these instructions carefully before operating.

- Ensure there is no person, animal or item obstructing the area under the footrest before operating this product.
- Improper use or installation may result in the risk of fire, electric shock and/or injury. We assume no liability for any eventual damages caused by improper use or inappropriate handling, or by any other non-compliance with the instructions in this manual.
- This product is not intended for use by persons (including children) with reduced physical, sensory or mental capabilities, or lack of experience and knowledge, unless they have been given supervision or instruction concerning use of the product by a person responsible for their safety.
- Children should be supervised to ensure that they do not play with the product.
- This product contains moving parts. Keep fingers, hair and body parts well clear from moving parts. To reduce the risk of injury, keep children and pets clear of the product when in use.
- Do not sit or place additional weight on the arms, back or open footrest.
- This product is very heavy. Only move this product by lifting the main body. Never drag by the footrest, back or armrest.
- Return this product to the full upright position to stand safely and prevent a tripping hazard.
- Do not operate this product if damage is visible in any form.
- Do not modify or use unauthorised substitute parts.
- This product has been designed and intended for indoor residential use only. It is not suitable for commercial or outdoor use.
- This product is not intended to be used as part of a health care plan. Consult your medical professional before operating if you are taking medication or have physical limitations.



ELECTRICAL SAFETY

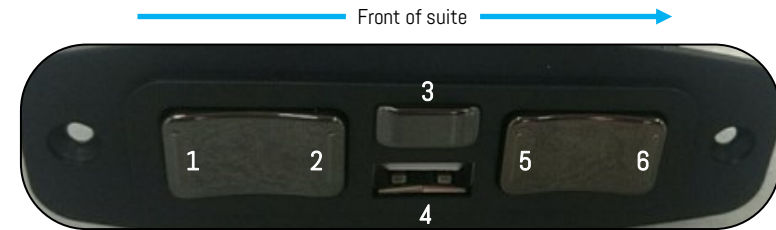
Please read these instructions carefully before operating.

- Never force the back or footrest to close faster than the electric motor.
- Before commencing cleaning or maintenance, ensure this product is disconnected from the power outlet and the back is in the full upright position.
- Disconnect this product from the power outlet before moving.
- Cease operation and disconnect from the power outlet if you ever detect a burning odour or smoke coming from the product.
- Do not operate this product if liquid spillage occurs on or around it. Disconnect from the power outlet and allow the product to completely dry before reconnecting.
- Do not operate the power functions or charge station with wet hands.
- Check the condition of the power cord, electrical cords, transformer, plug and connector on a monthly basis. Do not operate if wear is visible.
- Ensure the power cord, electrical cords and transformer are clear of moving parts and not trapped underneath the base.
- Position the power cord to minimise a tripping hazard.
- Never attempt to open or disassemble electrical components.
- We recommend the use of a surge protector (not included).

OPERATION INSTRUCTIONS

Hand Controller

Hand controllers are located on the outside of armrests.



Number	Functionality
1	Headrest back
2	Headrest forward
3	Home
4	USB Charger
5	Recliner close
6	Recliner open

ASSEMBLY INSTRUCTIONS

Please read these instructions carefully before assembling.

2.5 Seater and Recliner

1. Assemble this product in an open space with room to move.
2. Remove the red bag stapled to the bottom of the seat back. This contains the external power cords and transformer. Set aside for step 6.
3. Remove the armrests strapped to the rear of the seat base by the black belts (Figure 1). Attach the armrests to the left and right side of the base. Ensure the armrest is on the correct side by matching the Left/Left and Right/Right labels on the armrest and base. To attach the armrest, remove the nut and bolt from the red bag attached to the armrest. Screw the shorter threaded end of the bolt into the armrest (Figure 2). Insert the bolt into the hole in the base (Figure 3). Access the suite from underneath the armrest using the zip in the dust cloth and tighten the nut to the bolt to hold the armrest in place. To check the armrest is on the correct side, ensure the zip side is facing the seat cushion (Figure 4).
4. Attach the seat backs to the base by sliding the metal receivers A over the metal posts B (Figure 5). Ensure both sides align before pushing down firmly to lock in place. The seat backs are heavy. Ask for help if you need assistance aligning the posts and receivers. Repeat across all backs.
5. Locate the power cord C on the seat back and connect to power cord D at the rear of the seat base (Figure 6). Repeat across all seats.
6. Retrieve the external power cords and transformer set aside in step 2 and connect power cord E into the socket F at the rear of the suite. Connect power cord E with the transformer G. Connect power cord H with the transformer G and then plug H into a power outlet.
7. Check all electrical connections are firmly connected as per the above steps before turning the power outlet on.
8. Your suite is now assembled and ready to be used. Please read the safety instructions before operating. Refer to www.smartcomfort.com.au for troubleshooting information.

Chaise

1. Attach the seat back to the base by sliding the metal receivers A over the metal posts B (Figure 7). Ensure both sides align before pushing down firmly to lock in place. The seat back is heavy. Ask for help if you need assistance aligning the posts and receivers.
2. Unzip the dust cloth underneath the suite to retrieve the feet (Figure 8). Screw the feet into place.

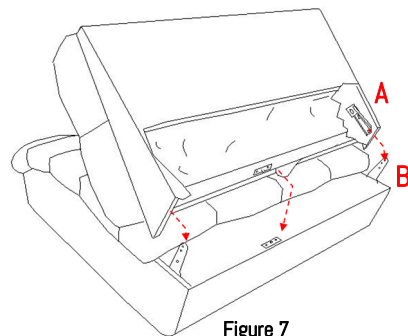


Figure 7

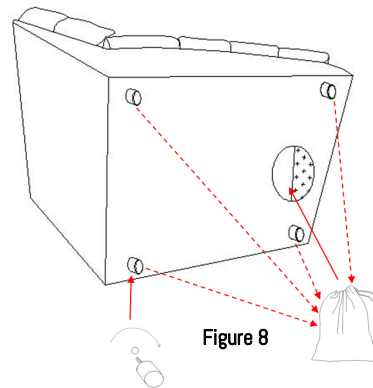
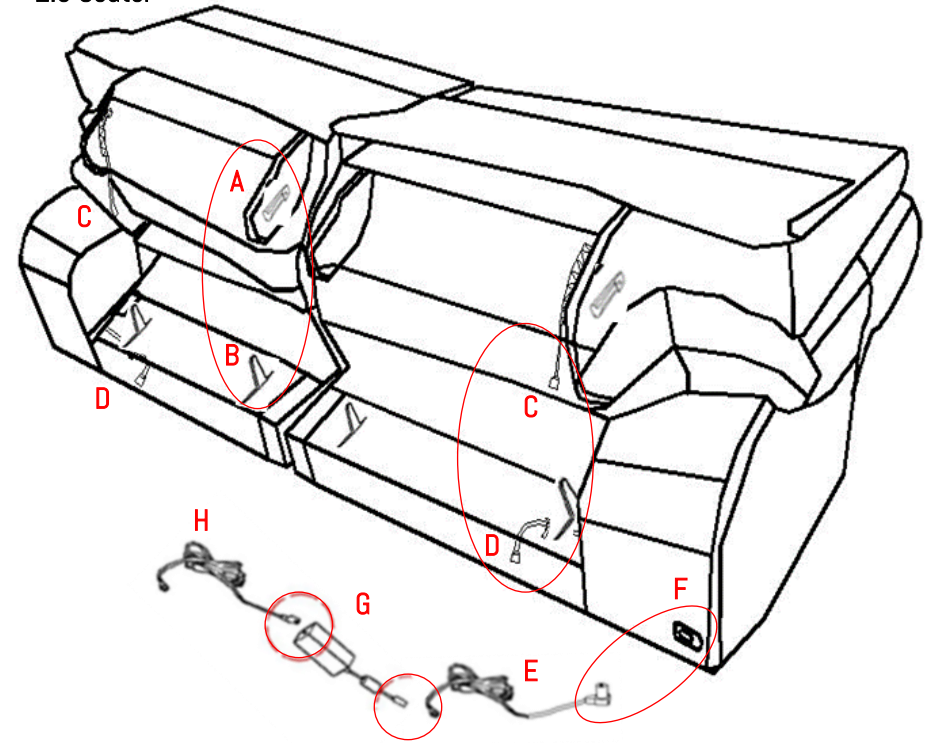


Figure 8

2.5 Seater



Recliner

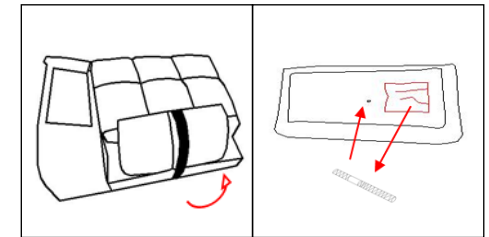
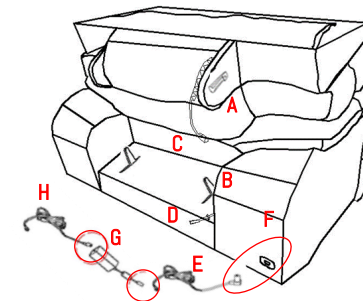


Figure 1

Figure 2

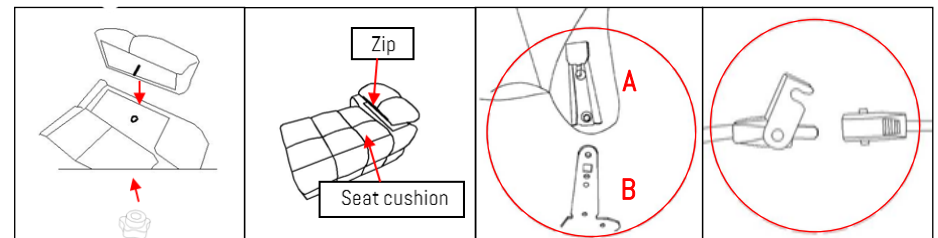


Figure 3

Figure 4

Figure 5

Figure 6